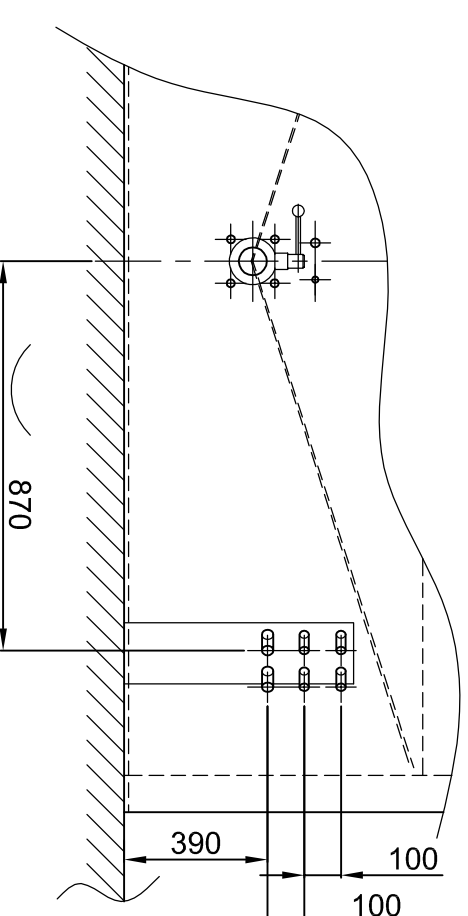
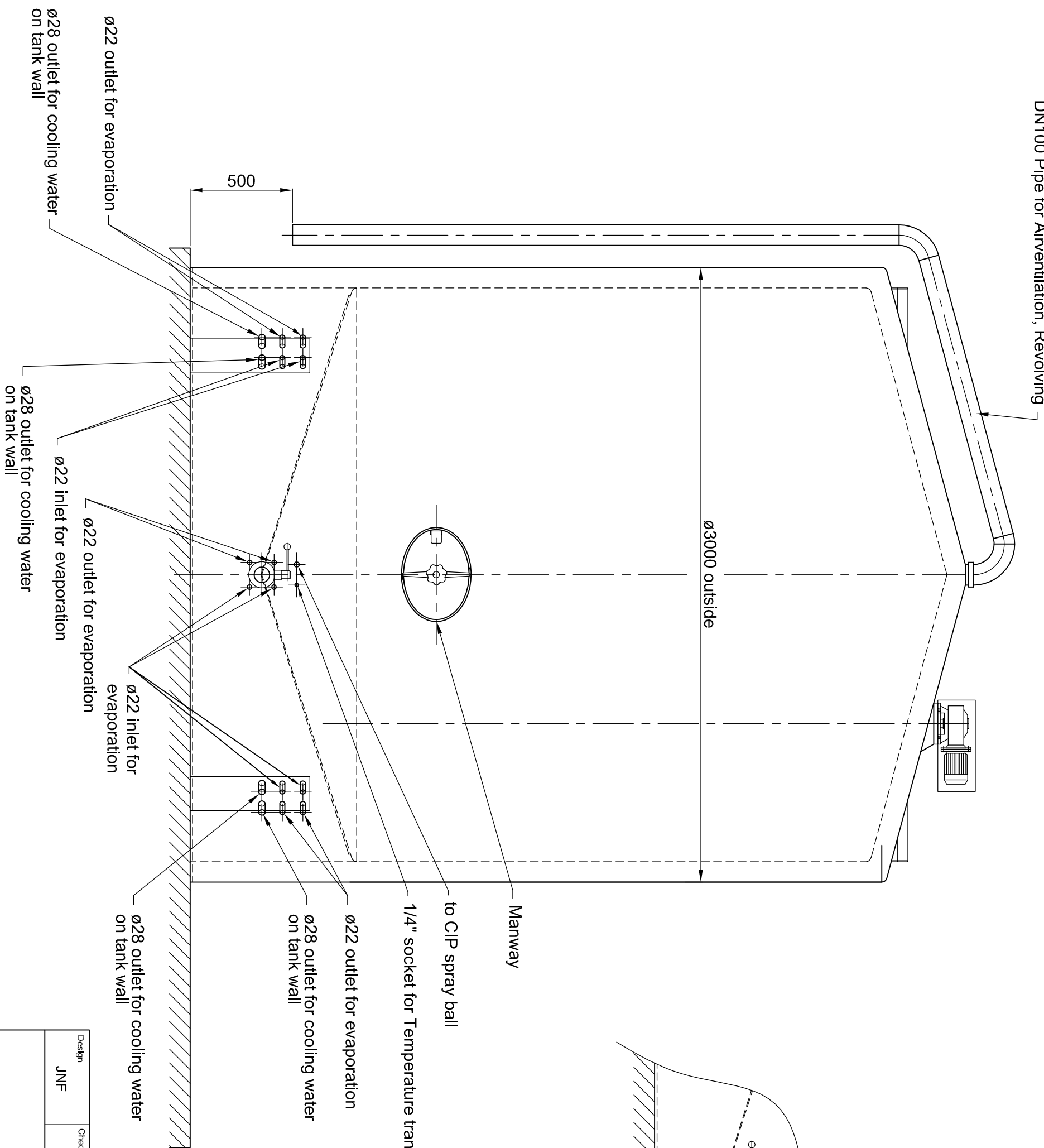


DN100 Pipe for Airventilation, Revolving



Connection for sensor :  
 1 = + V  
 2 = 0 V  
 3 = Out / signal  
 Agitator engine :  
 0,25 Kw, 3 x 230/400 V, 50 Hz

Design	JNF	Checked by	LE	Scale	~	Date	13.06.2013
--------	-----	------------	----	-------	---	------	------------

B : d. 03.11.2014 JNF

**ADA AS**  
 Industriparken Nord 5  
 Skodborg  
 DK 6630 Rødding  
 Telf. +45 7484 8403 Fax +45 7484 8408 www.ada.dk

Connection for evaporation  
 for ADA Milk cooling tank

Dwg. nr. **13 - 820 - 01** Rev. **B**